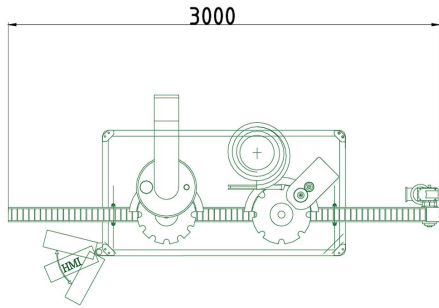
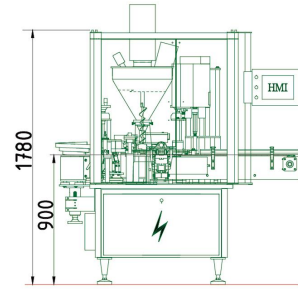
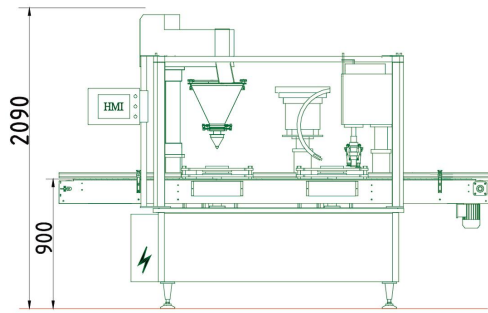
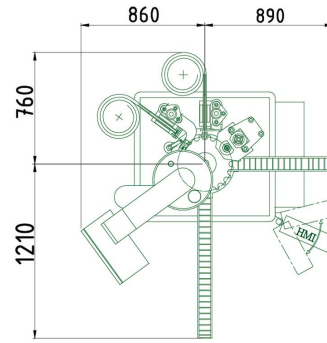


JC-PCB



JC-PSD



機 型 Model	JC-PCB	JC-PSD
充填容量 Filling Capacity(g)	5-40	
生產速度 Speed(bpm)	15-35	15-30
使用電源 Power Source(VAC)	220V/380V 50HZ/60HZ single phase/3 phase	
電機功率 Power Consumption(kw)	2.6	
耗 氣 量 Air Consumption(min)	4-6 Kgs x 18 Liter	
機器重量 Machine Weight(kg)	950	

紀正機械有限公司
 Jih Cheng Machinery Technologies Co., LTD
 新北市樹林區大安路502號7樓
 7F, No.502 Da-An Rd, Shulin Dist., New Taipei City 23849, Taiwan
 ☎ : +886-2-26758968 ☎ : +886-2-26758229
 ✉ : sales@jihcheng.com
 www.jihcheng.com

上海紀正機械有限公司
 Shanghai Jih Cheng Machinery Mfg Co., LTD
 上海市閔行區華漕鎮鳴嘉路318號
 318, Mingjia Rd., Huacao Town, MinHang Section, ShangHai, China
 ☎ : +86-21-52265388 ☎ : +86-21-52265658
 ✉ : sales@jihcheng.com
 www.jihcheng.com

自動粉末充填封蓋機 Automatic Powder Filling And Cap Sealing Machine



JCH-CHENG 紀正機械
 Jih Cheng Machinery Tech. Co., Ltd



適用於各類種粒體、中/西藥藥粉之充填與封蓋作業。

The machine is able to fill powder into bottles and seal caps of the bottles. It is suitable for powder materials such as granules, powder, chemicals, Chinese & Western medicine powder, coffee powder, etc.



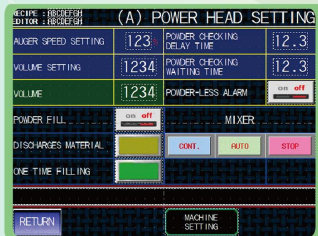
Model : JC-PCB series

自動粉末充填機

本機為具有粉末充填及封鎖外蓋能力的機型；主要是利用一體成形的螺桿旋轉達到充填物料之目的，再經由封蓋部分進行封蓋之作業；產品美觀、粉末不外露、瓶蓋不易受損，完全符合cGMP之標準，適用於各類顆粒體、粉末、化學藥粉、中西藥藥粉、咖哩粉等自動包裝。

Automatic powder filling and sealing machine

This is a type of machine which is able to fill powder into bottle and to seal cap of the bottle. It is using the single-piece machined rotating auger for filling of powder material into a container and subsequently at the capping station applying cap sealing operation. Good in looking, no powder spillage, minimal damage the caps and meeting cGMP requirement. It is suitable for automatic packing of powder materials such as granules, powder, chemicals, Chinese & western medicine powder, coffee powder, etc..



伺服控制

充填系統採用伺服控制，連接 PLC 和人機介面可直接在人機調整充填量。

Servo system

Filling system adopt servo motor control, connectiong with PLC, fillingvolume can be adjusted on HMI.



充填螺桿

螺桿採用不鏽鋼一體加工成型，利用螺桿的旋轉充填原物料，劑量準確度高，誤差在±1~3%以內；充填時，利用攪拌棒進行攪拌工作，使原物料能正常充填，增加準確性。

Filling Auger

The auger machined by single-piece for precise filling volume, it is kept within ±1~3% weight variation depending on. With a stirrer rotating in the material hopper to ensures a smoother and more precise filling operation.

粉末充填

本機構皆有防塵隔離，避免粉塵進入導致機件損傷；不鏽鋼充填槽易拆下清洗，避免二次汙染。

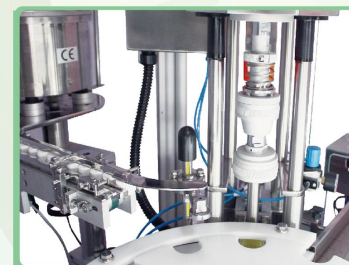
Powder filling

The machine is equipped with dust detraction device to avoid machine damages due to powder contamination. The stainless steel material hopper is easy discharge to clean, which minimizes cross-contamination.



充填系統搭配封蓋或旋蓋功能，達到一機多功能的效果。

Filling system with roll-on cap sealing or screw-on capping head to reach mult-function model.



旋蓋

旋蓋位置上設計有瓶子固定裝置，且旋蓋頭設計有扭力調整裝置，可依不同需求自由調整瓶蓋緊實度；旋蓋頭可依瓶蓋尺寸不同，輕易的進行更換。

Screw-on capping

There is a bottle clasping device at the sealing station, while the sealing head equipped with adjustable torqus as needed for individual cap & bottle in addition to tension absorbing mechanism to extend sealing durability. It is easy in bottle size change-over for different bottle cap size.



封蓋

封蓋頭設計為不鏽鋼滾刀，並可自由調整封蓋緊實度，瓶蓋美觀不易受損，可依瓶蓋尺寸不同，輕易的進行更換封蓋頭，滿足客戶不同需求。

Roll-on cap sealing

The sealing head designed with the sealing rollers which is convenient to adjust the capping tightness for remaining the caps in a good condition. Additionally, the sealing head is easy to exchange for different cap sizes.